

## 5A Positive Adjustable Voltage Regulator

### FEATURES

- *Guaranteed* 1% Initial Tolerance
- *Guaranteed* 0.3% Load Regulation
- *Guaranteed* 5A Output Current
- 100% Thermal Limit Burn-In
- 12A Transient Output Current

### APPLICATIONS


- High Power Linear Regulator
- Battery Chargers
- Power Driver
- Constant-Current Regulator

### DESCRIPTION

The LT<sup>®</sup>138A series of adjustable regulators provide 5A output current over an output voltage range of 1.2V to 32V. The internal voltage reference is trimmed to less than 1%, enabling a very tight output voltage. In addition to excellent line and load regulation, with full overload protection, the LT138A incorporates new current limiting circuitry allowing large transient load currents to be handled for short periods. Transient load currents of up to 12A can be supplied without limiting, eliminating the need for a large output capacitor.

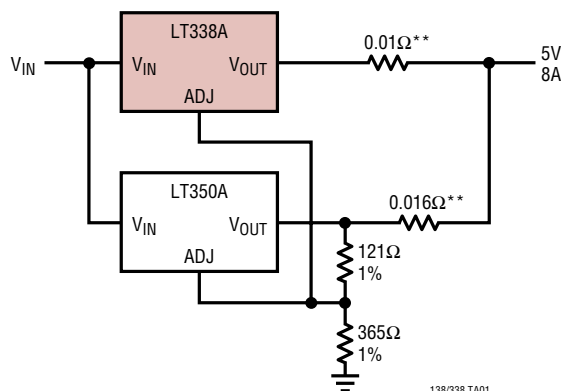
The LT138A is an improved version of the popular LM138 with improved circuit design and advanced process techniques to provide superior performance and reliability.

The graph below shows the significant improvement in output voltage tolerance achieved by using the LT138A or LT338A.

 LTC and LT are registered trademarks of Linear Technology Corporation.

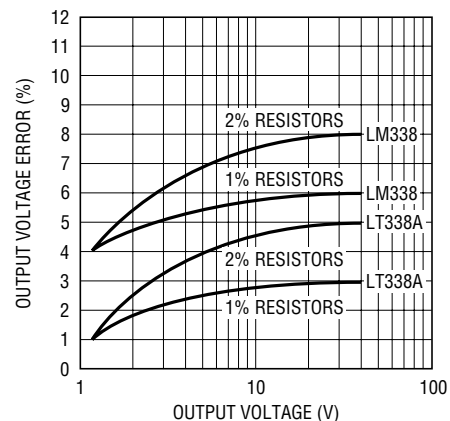
### TYPICAL APPLICATION

Parallel Regulators for Higher Current\*



\*THIS CIRCUIT WILL NOT WORK WITH LM VERSION DEVICES  
 \*\*CURRENT SHARING RESISTORS DEGRADE REGULATION TO 1%

Output Voltage Error



# LT138A/LT338A LM138/LM338

## ABSOLUTE MAXIMUM RATINGS (Note 1)

Power Dissipation ..... Internally Limited  
 Input-to-Output Voltage Differential ..... 35V  
 Operating Junction Temperature Range  
 LT138A/LM138 ..... -55°C to 150°C  
 LT338A/LM338 ..... 0°C to 125°C

Storage Temperature Range ..... -65°C to 150°C  
 Lead Temperature (Soldering, 10 sec) ..... 300°C

## PRECONDITIONING

100% Thermal Limit Burn-In

## PACKAGE/ORDER INFORMATION

<p>BOTTOM VIEW</p> <p>V<sub>IN</sub></p> <p>○ 2</p> <p>○ 1</p> <p>ADJ</p> <p>CASE IS OUTPUT</p> <p>K PACKAGE 2-LEAD TO-3 METAL CAN</p> <p>T<sub>JMAX</sub> = 150°C, θ<sub>JA</sub> = 35°C/W, θ<sub>JC</sub> = 1°C/W (LT138A/LT138)              T<sub>JMAX</sub> = 125°C, θ<sub>JA</sub> = 35°C/W, θ<sub>JC</sub> = 1°C/W (LT338A/LT338)</p>	ORDER PART NUMBER	<p>FRONT VIEW</p> <p>3 V<sub>OUT</sub></p> <p>2 V<sub>IN</sub></p> <p>1 ADJ</p> <p>P PACKAGE 3-LEAD PLASTIC TO-3P</p> <p>T<sub>JMAX</sub> = 125°C, θ<sub>JA</sub> = 45°C/W</p>	ORDER PART NUMBER
	LT138AK LT338AK LM138K LM338K		LM338P

Consult factory for Industrial grade parts.

## ELECTRICAL CHARACTERISTICS

The ● denotes specifications which apply over the full operating temperature range, otherwise specifications are at T<sub>A</sub> = 25°C. (Note 2)

SYMBOL	PARAMETER	CONDITIONS	LT138A			LM138			UNITS	
			MIN	TYP	MAX	MIN	TYP	MAX		
V <sub>REF</sub>	Reference Voltage	I <sub>OUT</sub> = 10mA, T <sub>J</sub> = 25°C	1.238	1.250	1.262				V	
		3V ≤ (V <sub>IN</sub> - V <sub>OUT</sub> ) ≤ 35V, 10mA ≤ I <sub>OUT</sub> ≤ 5A, P ≤ 50W	● 1.225	● 1.250	● 1.270	1.19	1.24	1.29	V	
$\frac{\Delta V_{OUT}}{\Delta V_{IN}}$	Line Regulation	3V ≤ (V <sub>IN</sub> - V <sub>OUT</sub> ) ≤ 35V, (Note 3)	● 0.005	● 0.01	● 0.02	0.005	0.01	0.02	0.04	%/V
										%/V
$\frac{\Delta V_{OUT}}{\Delta I_{OUT}}$	Load Regulation	10mA ≤ I <sub>OUT</sub> ≤ 5A, (Note 3)								
		V <sub>OUT</sub> ≤ 5V		5	15		5	15		mV
		V <sub>OUT</sub> ≥ 5V		0.1	0.3		0.1	0.3		%
		V <sub>OUT</sub> ≤ 5V	● 20	● 30		20	30			mV
		V <sub>OUT</sub> ≥ 5V	● 0.3	● 0.6		0.3	0.6		%	
	Thermal Regulation	20ms Pulse		0.002	0.01		0.002	0.01		%/W
	Ripple Rejection	V <sub>OUT</sub> = 10V, f = 120Hz C <sub>ADJ</sub> = 0μF C <sub>ADJ</sub> = 10μF	● 60	● 60	● 75	60	60	75		dB
I <sub>ADJ</sub>	Adjust Pin Current		● 45	● 100		45	100		μA	
ΔI <sub>ADJ</sub>	Adjust Pin Current Change	10mA ≤ I <sub>OUT</sub> ≤ 5A, 3V ≤ (V <sub>IN</sub> - V <sub>OUT</sub> ) ≤ 35V	● 0.2	● 5		0.2	5		μA	
	Minimum Load Current	(V <sub>IN</sub> - V <sub>OUT</sub> ) = 35V	● 3.5	● 5		3.5	5		mA	
I <sub>SC</sub>	Current Limit	(V <sub>IN</sub> - V <sub>OUT</sub> ) ≤ 10V	● 5	● 8		5	8		A	
		DC	● 6	● 12		6	12		A	
		0.5ms Peak	● 6	● 12		6	12		A	
		(V <sub>IN</sub> - V <sub>OUT</sub> ) = 30V, T <sub>J</sub> = 25°C		1	2		1		A	

**ELECTRICAL CHARACTERISTICS** The ● denotes specifications which apply over the full operating temperature range, otherwise specifications are at  $T_A = 25^\circ\text{C}$ . (Note 2)

SYMBOL	PARAMETER	CONDITIONS	LT138A			LM138			UNITS	
			MIN	TYP	MAX	MIN	TYP	MAX		
$\frac{\Delta V_{OUT}}{\Delta \text{Temp}}$	Temperature Stability			1	2		1		%	
$\frac{\Delta V_{OUT}}{\Delta \text{Time}}$	Long-Term Stability	$T_A = 125^\circ\text{C}$ , 1000 Hours		0.3	1		0.3	1	%	
$e_n$	RMS Output Noise (% of $V_{OUT}$ )	$10\text{Hz} \leq f \leq 10\text{kHz}$		0.001			0.003			%
$\theta_{JC}$	Thermal Resistance Junction-to-Case	K Package			1			1	$^\circ\text{C}/\text{W}$	

The ● denotes specifications which apply over the full operating temperature range, otherwise specifications are at  $T_A = 25^\circ\text{C}$ . (Note 2)

SYMBOL	PARAMETER	CONDITIONS	LT338A			LM338			UNITS	
			MIN	TYP	MAX	MIN	TYP	MAX		
$V_{REF}$	Reference Voltage	$I_{OUT} = 10\text{mA}$	1.238	1.250	1.262				V	
		$3\text{V} \leq (V_{IN} - V_{OUT}) \leq 35\text{V}$ , $10\text{mA} \leq I_{OUT} \leq 5\text{A}$ , $P \leq 50\text{W}$	●	1.225	1.250	1.270	1.19	1.24	1.29	V
$\frac{\Delta V_{OUT}}{\Delta V_{IN}}$	Line Regulation	$3\text{V} \leq (V_{IN} - V_{OUT}) \leq 35\text{V}$ , (Note 3)		0.005	0.01		0.005	0.03	%/V	
				0.02	0.04		0.02	0.06	%/V	
$\frac{\Delta V_{OUT}}{\Delta I_{OUT}}$	Load Regulation	$10\text{mA} \leq I_{OUT} \leq 5\text{A}$ , (Note 3) $V_{OUT} \leq 5\text{V}$ $V_{OUT} \geq 5\text{V}$		5	15		5	25	mV	
				0.1	0.3		0.1	0.5	%	
		$V_{OUT} \leq 5\text{V}$ $V_{OUT} \geq 5\text{V}$	●	20	30	●	20	50	mV	
			●	0.3	0.6	●	0.3	1	%	
	Thermal Regulation	20ms Pulse		0.002	0.02		0.002	0.02	%/W	
	Ripple Rejection	$V_{OUT} = 10\text{V}$ , $f = 120\text{Hz}$ $C_{ADJ} = 0\mu\text{F}$ $C_{ADJ} = 10\mu\text{F}$		60	75		60	75	dB	
			●	60	75	●	60	75	dB	
$I_{ADJ}$	Adjust Pin Current		●	45	100	●	45	100	$\mu\text{A}$	
$\Delta I_{ADJ}$	Adjust Pin Current Change	$10\text{mA} \leq I_{OUT} \leq 5\text{A}$ , $3\text{V} \leq (V_{IN} - V_{OUT}) \leq 35\text{V}$	●	0.2	5	●	0.2	5	$\mu\text{A}$	
	Minimum Load Current	$(V_{IN} - V_{OUT}) = 35\text{V}$	●	3.5	10	●	3.5	10	mA	
$I_{SC}$	Current Limit	$(V_{IN} - V_{OUT}) \leq 10\text{V}$ DC	●	5	8	●	5	8	A	
		0.5ms Peak	●	6	12	●	6	12	A	
		$(V_{IN} - V_{OUT}) = 30\text{V}$ , $T_J = 25^\circ\text{C}$			1	2		1		A
$\frac{\Delta V_{OUT}}{\Delta \text{Temp}}$	Temperature Stability			1	2		1		%	
$\frac{\Delta V_{OUT}}{\Delta \text{Time}}$	Long-Term Stability	$T_A = 125^\circ\text{C}$ , 1000 Hours		0.3	1		0.3	1	%	
$e_n$	RMS Output Noise (% of $V_{OUT}$ )	$10\text{Hz} \leq f \leq 10\text{kHz}$		0.001			0.003			%
$\theta_{JC}$	Thermal Resistance Junction-to-Case	K Package			1			1	$^\circ\text{C}/\text{W}$	

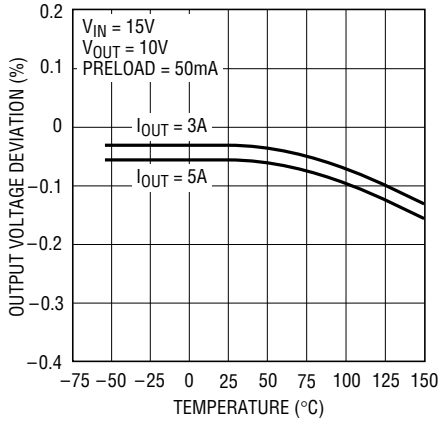
**Note 1:** Absolute Maximum Ratings are those values beyond which the life of the device may be impaired.

**Note 2:** Unless otherwise specified, these specifications apply:  $V_{IN} - V_{OUT} = 5\text{V}$  and  $I_{OUT} = 2.5\text{A}$ . These specifications are applicable for power dissipations up to 50W.

**Note 3:** See thermal regulation specifications for changes in output voltage due to heating effects. Load and line regulation are measured at a constant junction temperature by low duty cycle pulse testing.

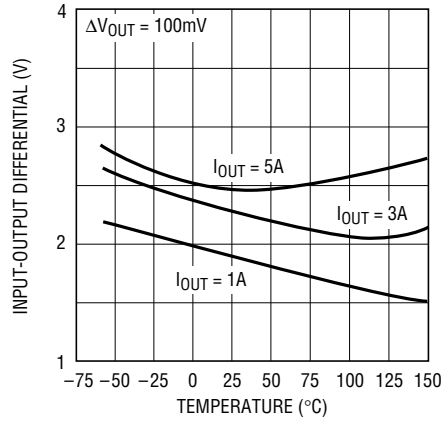
# TYPICAL PERFORMANCE CHARACTERISTICS

**Load Regulation**



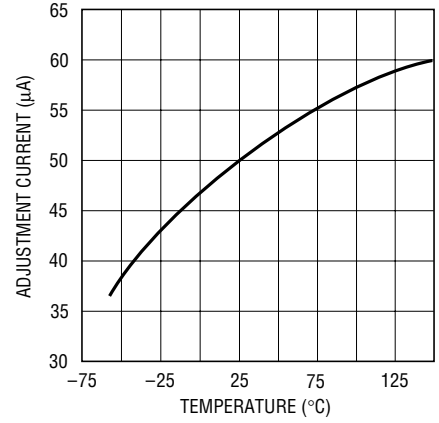
138/338 G01

**Dropout Voltage**



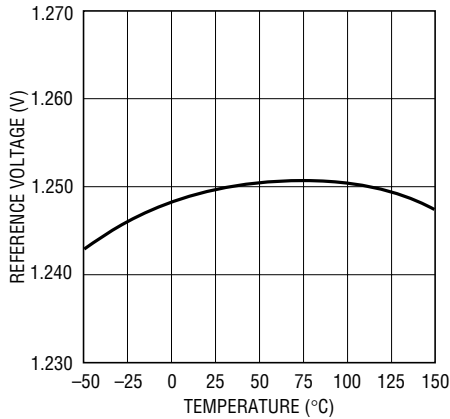
138/338 G02

**Adjustment Current**



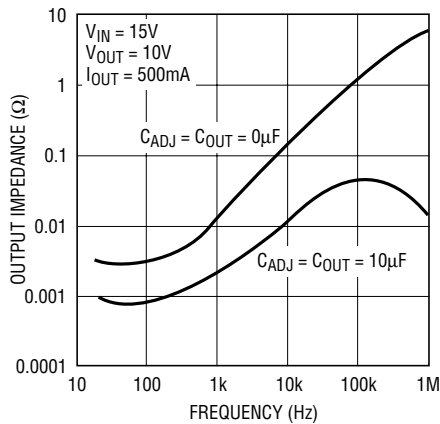
138A/338A G03

**Temperature Stability**



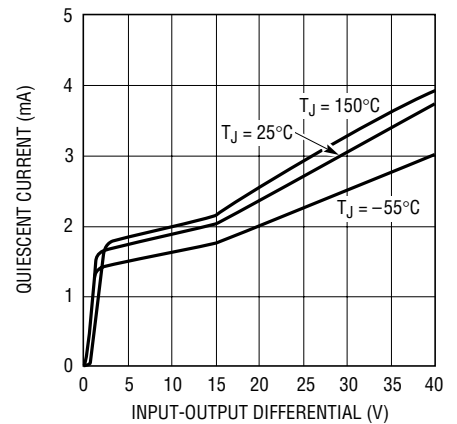
138A/338A G04

**Output Impedance**



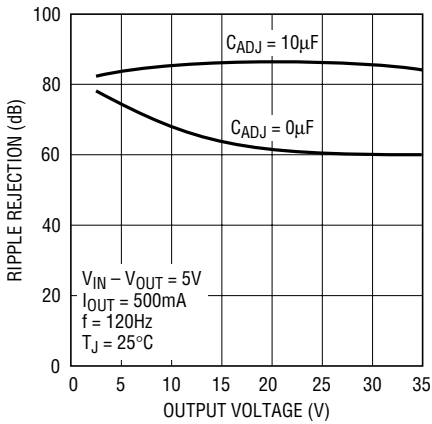
138/338 G05

**Minimum Operating Current**



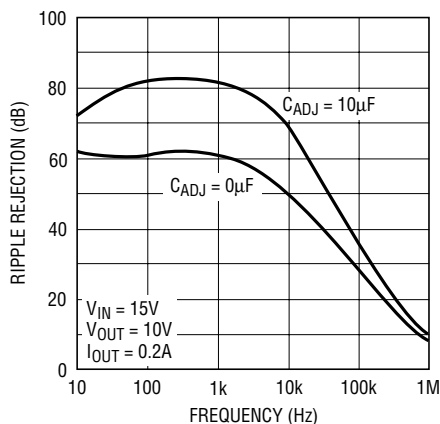
138A/338A G06

**Ripple Rejection**



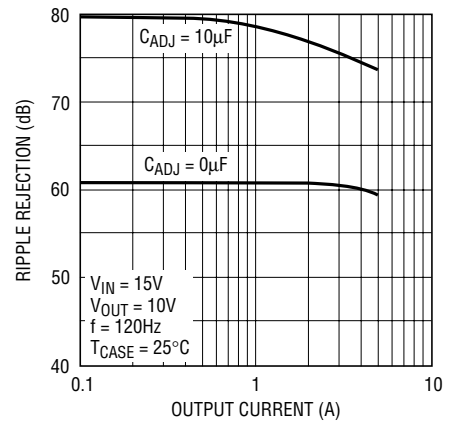
138A/338A G07

**Ripple Rejection**



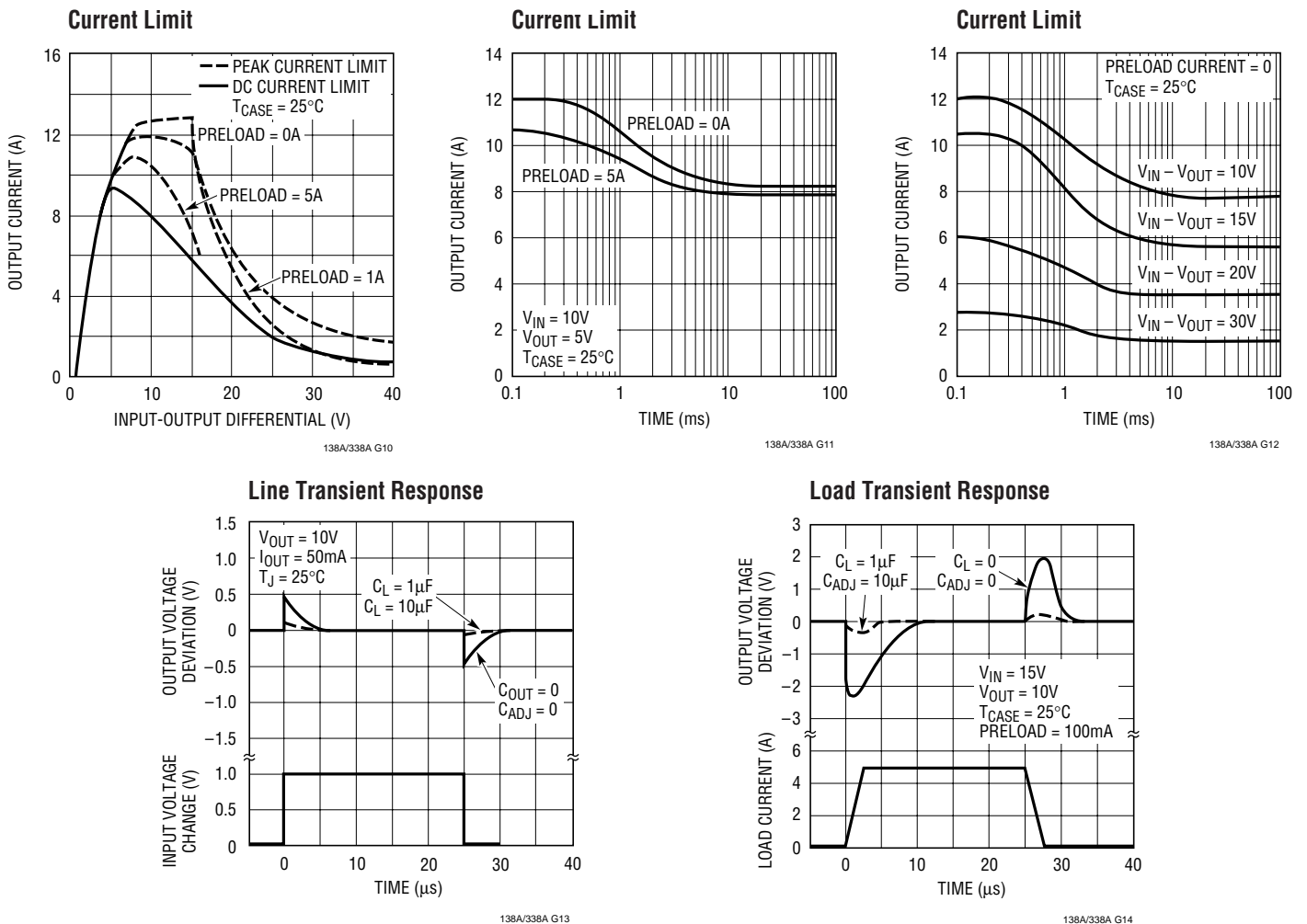
138A/338A G08

**Ripple Rejection**



138/338 G09

## TYPICAL PERFORMANCE CHARACTERISTICS



## APPLICATIONS INFORMATION

### General

The LT138A develops a 1.25V reference voltage between the output and the adjustable terminal (see Figure 1). By placing a resistor, R1, between these two terminals, a constant current is caused to flow through R1 and down through R2 to set the overall output voltage. Normally this current is the specified minimum load current of 5mA or 10mA. Because  $I_{ADJ}$  is very small and constant when compared with the current through R1, it represents a small error and can usually be ignored. It is easily seen from the output voltage equation, that even if the resistors were of exact value, the accuracy of the output is limited by the accuracy of  $V_{REF}$ . Earlier adjustable regulators had a reference

tolerance of  $\pm 4\%$  which is dangerously close to the  $\pm 5\%$  supply tolerance required in many logic and analog systems. Further, even 1% resistors can drift 0.01%/°C, adding additional error to the output voltage tolerance.

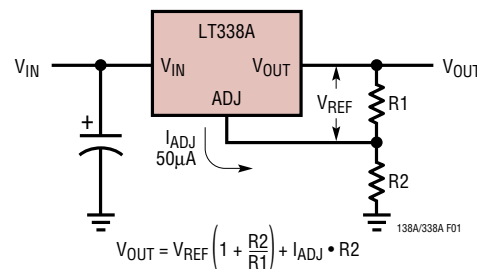


Figure 1. Basic Adjustable Regulator

## APPLICATIONS INFORMATION

For example, using 2% resistors and  $\pm 4\%$  tolerance for  $V_{REF}$ , calculations will show that the expected range of a 5V regulator design would be  $4.66V \leq V_{OUT} \leq 5.36V$  or approximately  $\pm 7\%$ . If the same example were used for a 15V regulator, the expected tolerance would be  $\pm 8\%$ . With these results most applications required some method of trimming, usually a trim pot. This solution is both expensive and not conducive to volume production.

One of the enhancements of Linear Technology's adjustable regulators over existing devices is the tightened initial tolerance of  $V_{REF}$ . This allows relatively inexpensive 1% or 2% film resistors to be used for R1 and R2 to set the output voltage within an acceptable tolerance.

With a guaranteed 1% reference, a 5V power supply design, using  $\pm 2\%$  resistors, would have a worst-case manufacturing tolerance of  $\pm 4\%$ . If 1% resistors are used, the tolerance will drop to  $\pm 2.5\%$ . A plot of the worst-case output voltage tolerance as a function of resistor tolerance is shown on the front page of this data sheet.

For convenience, a table of standard 1% resistor values is shown in Table 1.

**Table 1. 0.5% and 1% Standard Resistance Values**

1.00	1.47	2.15	3.16	4.64	6.81
1.02	1.50	2.21	3.24	4.75	6.98
1.05	1.54	2.26	3.32	4.87	7.15
1.07	1.58	2.32	3.40	4.99	7.32
1.10	1.62	2.37	3.48	5.11	7.50
1.13	1.65	2.43	3.57	5.23	7.68
1.15	1.69	2.49	3.65	5.36	7.87
1.18	1.74	2.55	3.74	5.49	8.06
1.21	1.78	2.61	3.83	5.62	8.25
1.24	1.82	2.67	3.92	5.76	8.45
1.27	1.87	2.74	4.02	5.90	8.66
1.30	1.91	2.80	4.12	6.04	8.87
1.33	1.96	2.87	4.22	6.19	9.09
1.37	2.00	2.94	4.32	6.34	9.31
1.40	2.05	3.01	4.42	6.49	9.53
1.43	2.10	3.09	4.53	6.65	9.76

Standard resistance values are obtained from the Decade Table by multiplying by multiples of 10. As an example, 1.21 can represent 1.21 $\Omega$ , 12.1 $\Omega$ , 121 $\Omega$ , 1.21k etc.

### Bypass Capacitors

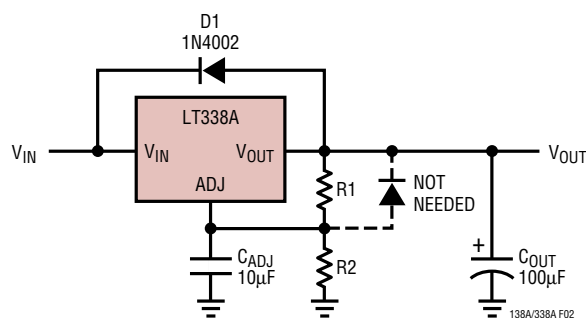
Input bypassing using a 1 $\mu$ F tantalum or 25 $\mu$ F electrolytic is recommended when the input filter capacitors are more than 5 inches from the device. Improved ripple rejection

(80dB) can be accomplished by adding a 10 $\mu$ F capacitor from the ADJ pin to ground. Increasing the size of the capacitor to 20 $\mu$ F will help ripple rejection at low output voltage since the reactance of this capacitor should be small compared to the voltage setting resistor, R2. For improved AC transient response and to prevent the possibility of oscillation due to unknown reactive load, a 1 $\mu$ F capacitor is also recommended at the output. Because of their low impedance at high frequencies, the best type of capacitor to use is solid tantalum.

### Protection Diodes

The LT138A/LT338A do not require a protection diode from the adjustment terminal to the output (see Figure 2). Improved internal circuitry eliminates the need for this diode when the adjustment pin is bypassed with a capacitor to improve ripple rejection.

If a very large output capacitor is used, such as a 100 $\mu$ F shown in Figure 2, the regulator could be damaged or destroyed if the input is accidentally shorted to ground or crowbarred, due to the output capacitor discharging into the output terminal of the regulator. To prevent this, a diode D1 as shown, is recommended to safely discharge the capacitor.



**Figure 2**

### Load Regulation

Because the LT138A is a three-terminal device, it is not possible to provide true remote load sensing. Load regulation will be limited by the resistance of the wire connecting the regulator to the load. The data sheet specification for load regulation is measured at the bottom of the package. Negative side sensing is a true Kelvin connection, with the bottom of the output divider returned to the

## APPLICATIONS INFORMATION

negative side of the load. Although it may not be immediately obvious, best load regulation is obtained when the top of the resistor divider, R1, is connected *directly* to the case *not to the load*. This is illustrated in *Figure 3*. If R1 were connected to the load, the effective resistance between the regulator and the load would be:

$$R_P \left( \frac{R_2 + R_1}{R_1} \right), R_P = \text{Parasitic Line Resistance}$$

Connected as shown,  $R_P$  is not multiplied by the divider ratio.  $R_P$  is about  $0.004\Omega$  per foot using 16 gauge wire. This translates to  $4\text{mV/ft}$  at  $1\text{A}$  load current, so it is important to keep the positive lead between regulator and load as short as possible, and use large wire or PC board traces.

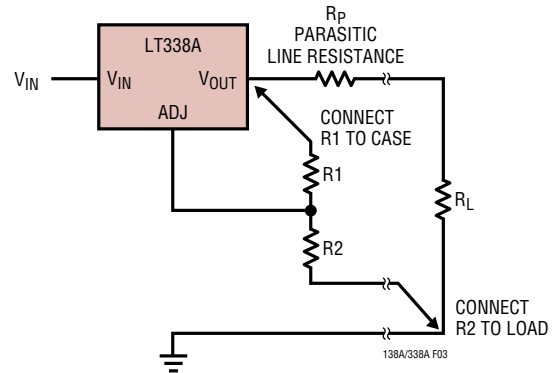
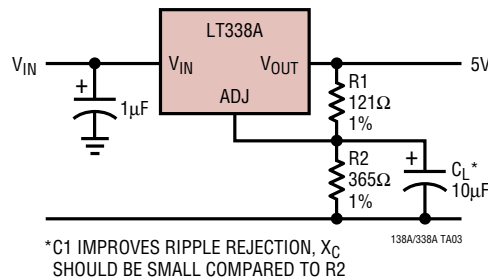


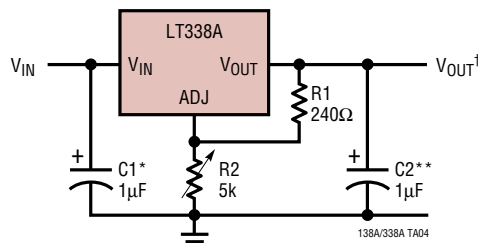
Figure 3. Connections for Best Load Regulation

## TYPICAL APPLICATIONS

### Improving Ripple Rejection



### 1.2V to 25V Adjustable Regulator

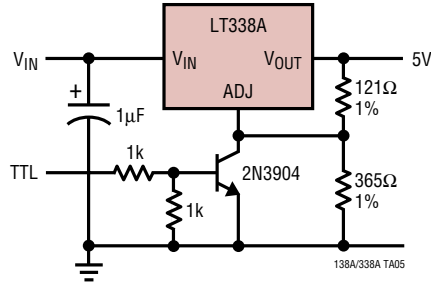


\*NEEDED IF DEVICE IS FAR FROM FILTER CAPACITORS  
\*\*OPTIONAL, IMPROVES TRANSIENT RESPONSE

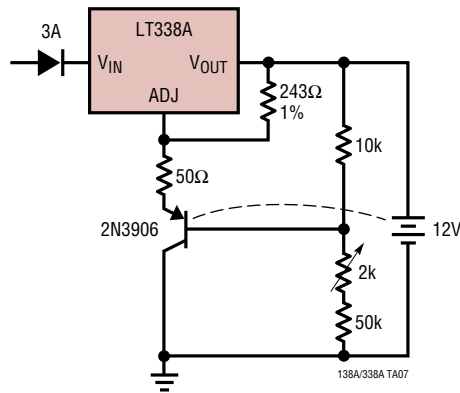
$$V_{OUT}^{\dagger} = 1.25V \left( 1 + \frac{R_2}{R_1} \right)$$

## TYPICAL APPLICATIONS

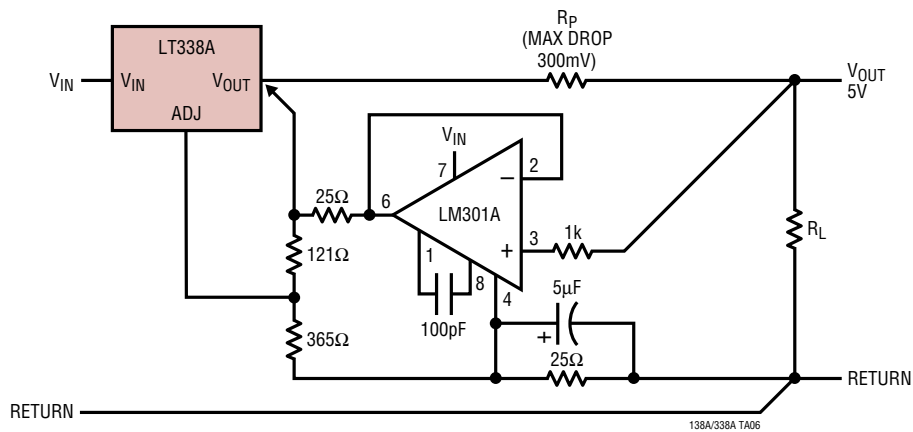
5V Regulator with Shutdown



Temperature Compensated Lead Acid Battery Charger

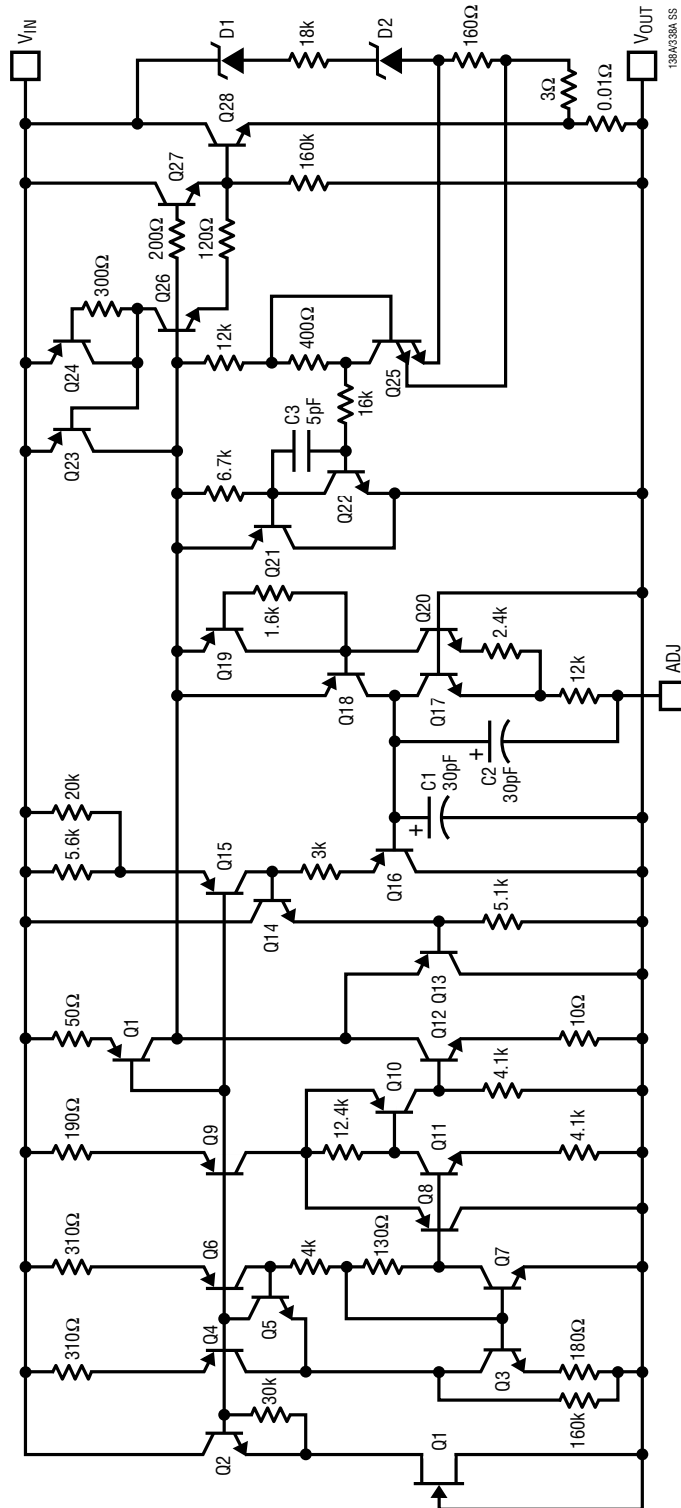


Remote Sensing



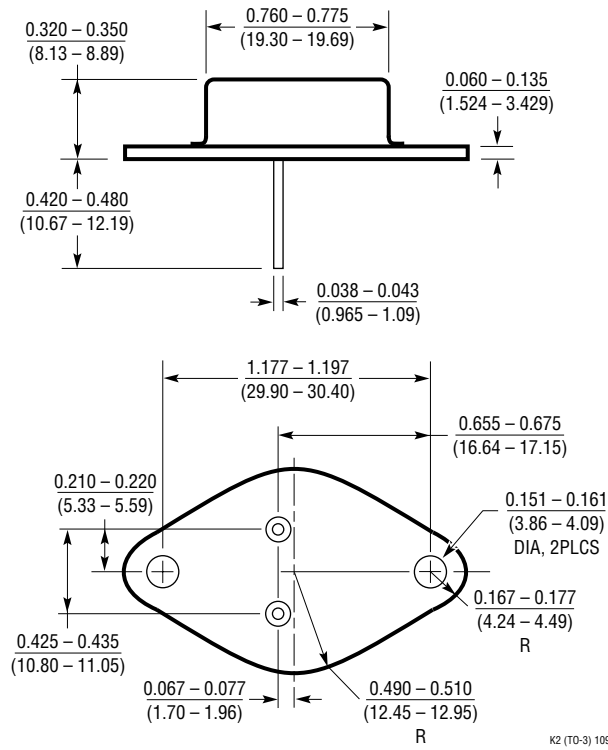


**SCHEMATIC DIAGRAM** LT138A/LT338A



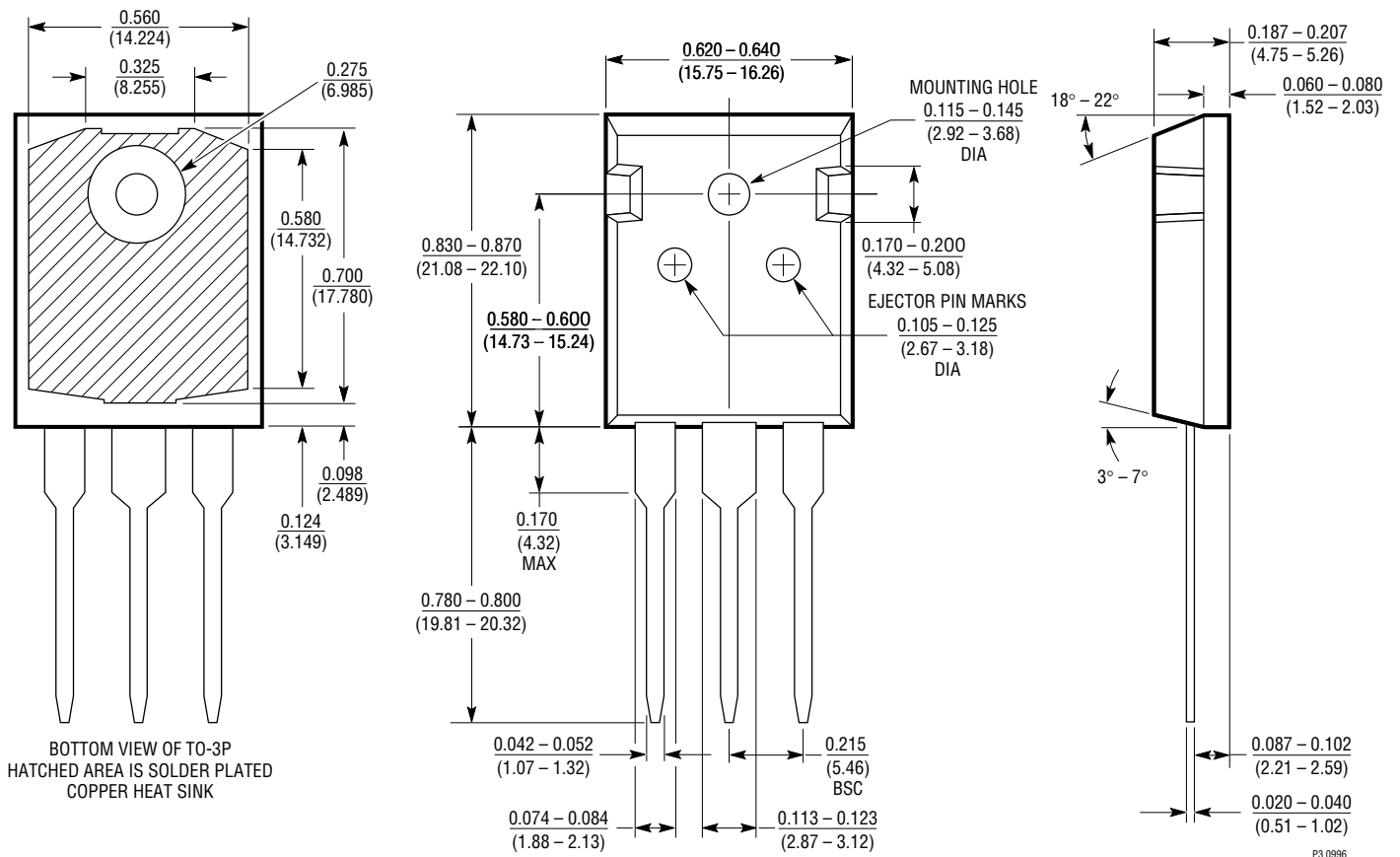
**PACKAGE DESCRIPTION** Dimensions in inches (millimeters) unless otherwise noted.

**K Package**  
**2-Lead TO-3 Metal Can**  
(LTC DWG # 05-08-1310)



**PACKAGE DESCRIPTION** Dimensions in inches (millimeters) unless otherwise noted.

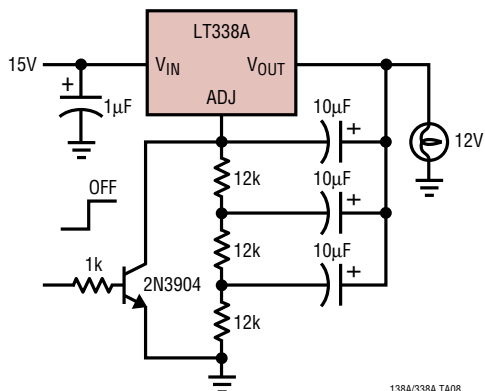
**P Package**  
**3-Lead Plastic TO-3P (Similar to TO-247)**  
(LTC DWG # 05-08-1450)



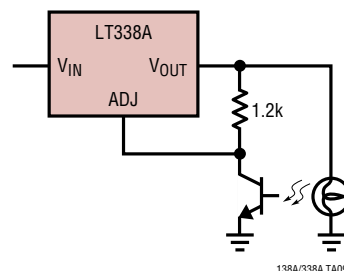
P3 0996

## TYPICAL APPLICATIONS

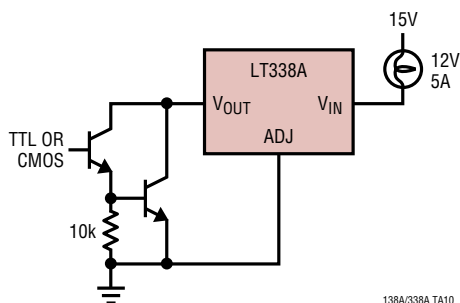
Lamp Flasher



Automatic Light Control



Protected High Current Lamp Driver



## RELATED PARTS

PART NUMBER	DESCRIPTION	COMMENTS
LT1084	5A Low Dropout	Operates to 30V Input
LT1580	7A Fast Transient Response Regulator with 0.7V Dropout	For 3.3V to 2.xxV Applications
LT1581	10A Fast Transient Response Regulator	For 3.3V to 2.xxV Applications
LT1585/LT1587	7A/4.6A/3A Low Dropout Fast Transient Response Regulator	For 1.2V to 3.3V Outputs from 5V

This datasheet has been downloaded from:

[www.DatasheetCatalog.com](http://www.DatasheetCatalog.com)

Datasheets for electronic components.